



ALBUQUERQUE VAULT COMPANY

PRE-CAST
CONCRETE
PRODUCTS

300 Airport Dr., NW * Albuquerque, NM 87121 * Phone: 505-836-4404 / Fax: 505-836-5663

Detail #

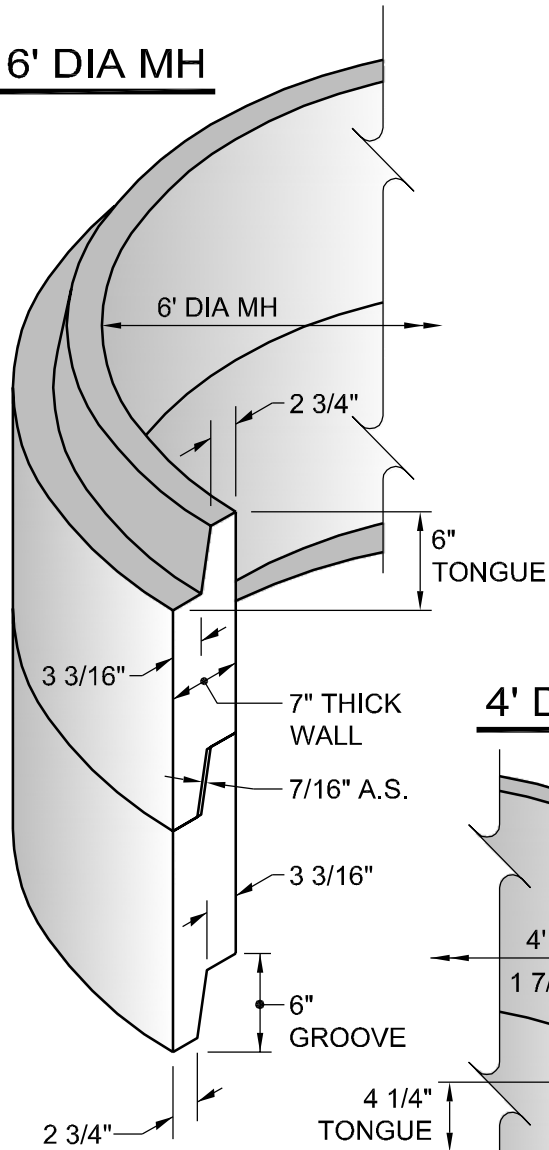
MH-JOINT

Not To Scale

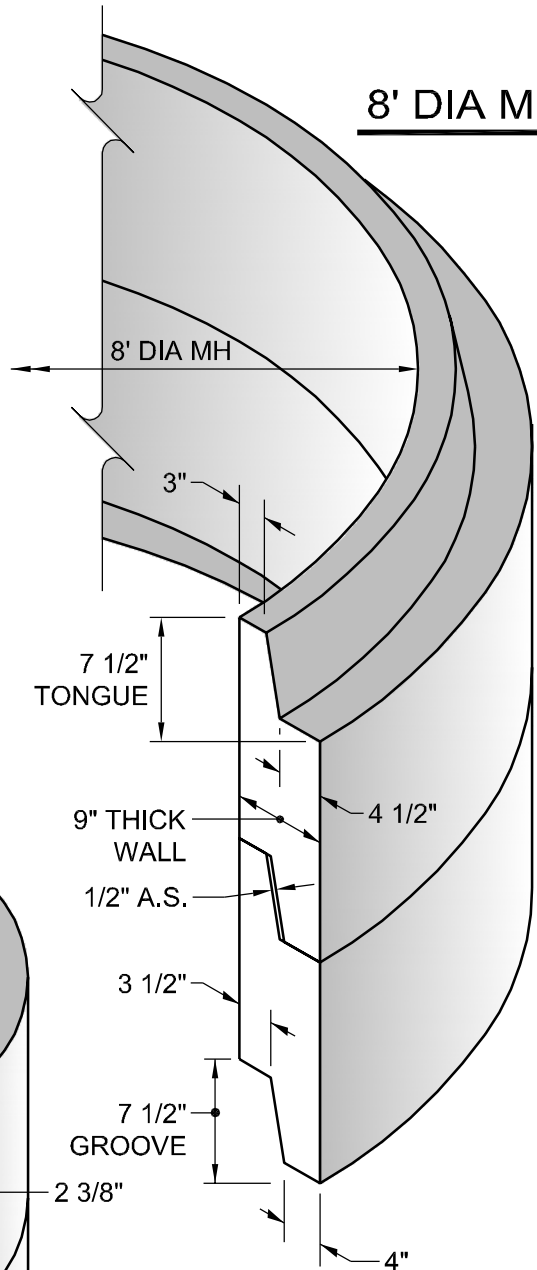
Feb. 2009

MANHOLE JOINT DETAILS

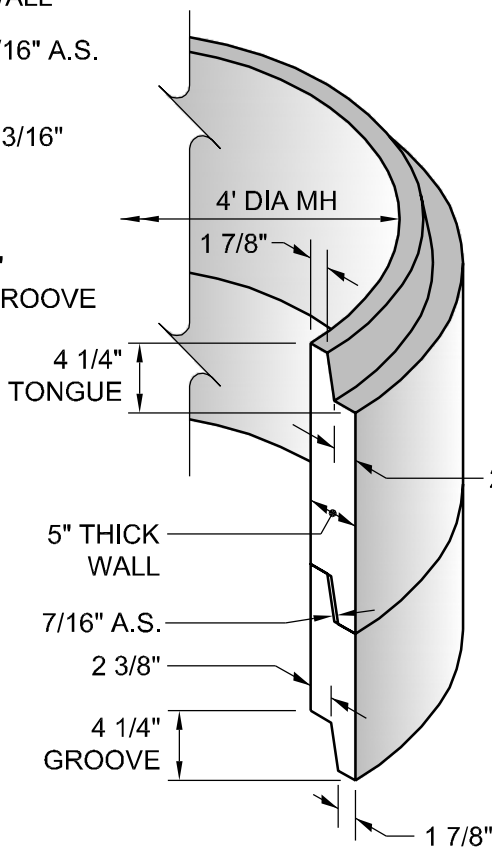
6' DIA MH



8' DIA MH



4' DIA MH



GENERAL NOTES:

1. Butyl rubber section joint design conforms to latest ASTM C-478 specifications.
2. Butyl rubber sealant conforms to ASTM C-990, AASHTO M-198, and federal specifications SS-S-00210 (210-A).
3. Manufacturer literature available upon request.