



ALBUQUERQUE VAULT COMPANY

PRE-CAST
CONCRETE
PRODUCTS

300 Airport Dr., NW * Albuquerque, NM 87121 * Phone: 505-836-4404 / Fax: 505-836-5663

Detail # **ST-3000-H20**

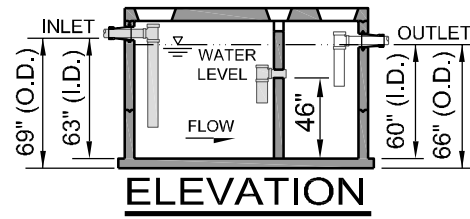
Not To Scale

July 2010

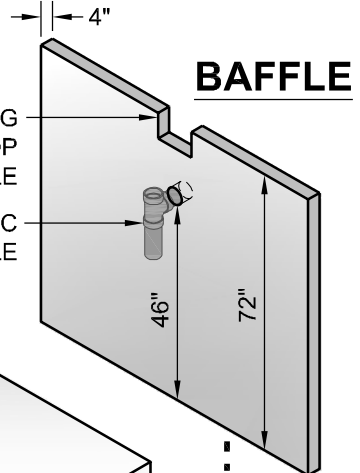
3,000 GALLON SEPTIC TRAP - MID SEAM / TOP SLAB

GENERAL NOTES:

- Design specifications conform to latest ASTM C1227 specifications for "Precast Concrete Water and Wastewater Structures"
- Concrete compressive strength 4,000 psi minimum.
- Steel reinforcing design to conform to the requirements of ASTM C890 specifications for "Structural Design Loading for Water and Wastewater Structures" and shall utilize grade 60 re-bars conforming to the requirements of ASTM A615 or WWF conforming to the requirements of ASTM A185 or both.
- Additional reinforcing at all openings.
- Casting / Top provided and installed by contractor / customer per job requirements. 2", 3", 4" & 6" grade rings can be supplied by Albuquerque Vault Co. or field adjusted, using approved methods by contractor.
- Pipe penetration locations as per job requirements. Pipe inlet and outlet locations to have cast-in-place boots. Pipe to be installed by contractor.
- Joints to be sealed with 1" dia. butyl rubber joint sealant conforming to the requirements of latest AASHTO specifications M-198 and meets federal specification SS-S-0021(210-A).
- Method of manufacture is Wet Cast.
- Sections are monolithic. Weights:
Top Section 9,150 ± lbs.
Riser Section 10,480 ± lbs.
Bottom Section 12,150 ± lbs.
- Inlet and outlet requirements such as tee's and/or effluent filters supplies and installed by contractor.
- Excavation hole bottom shall be 2' wide & 2' longer than total outside dimensions.
- Designed for H-20 loading.



ELEVATION



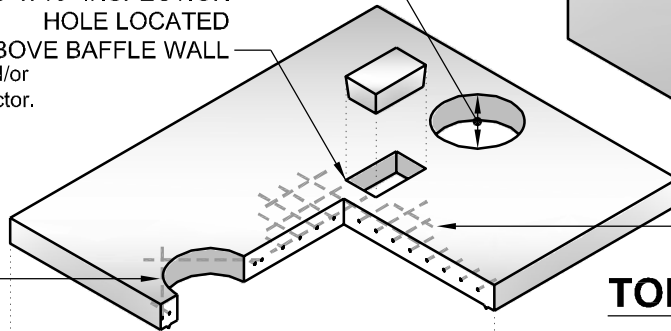
BAFFLE

8" WIDE x 12" LONG
SLOT BETWEEN TOP
SECTION & BAFFLE

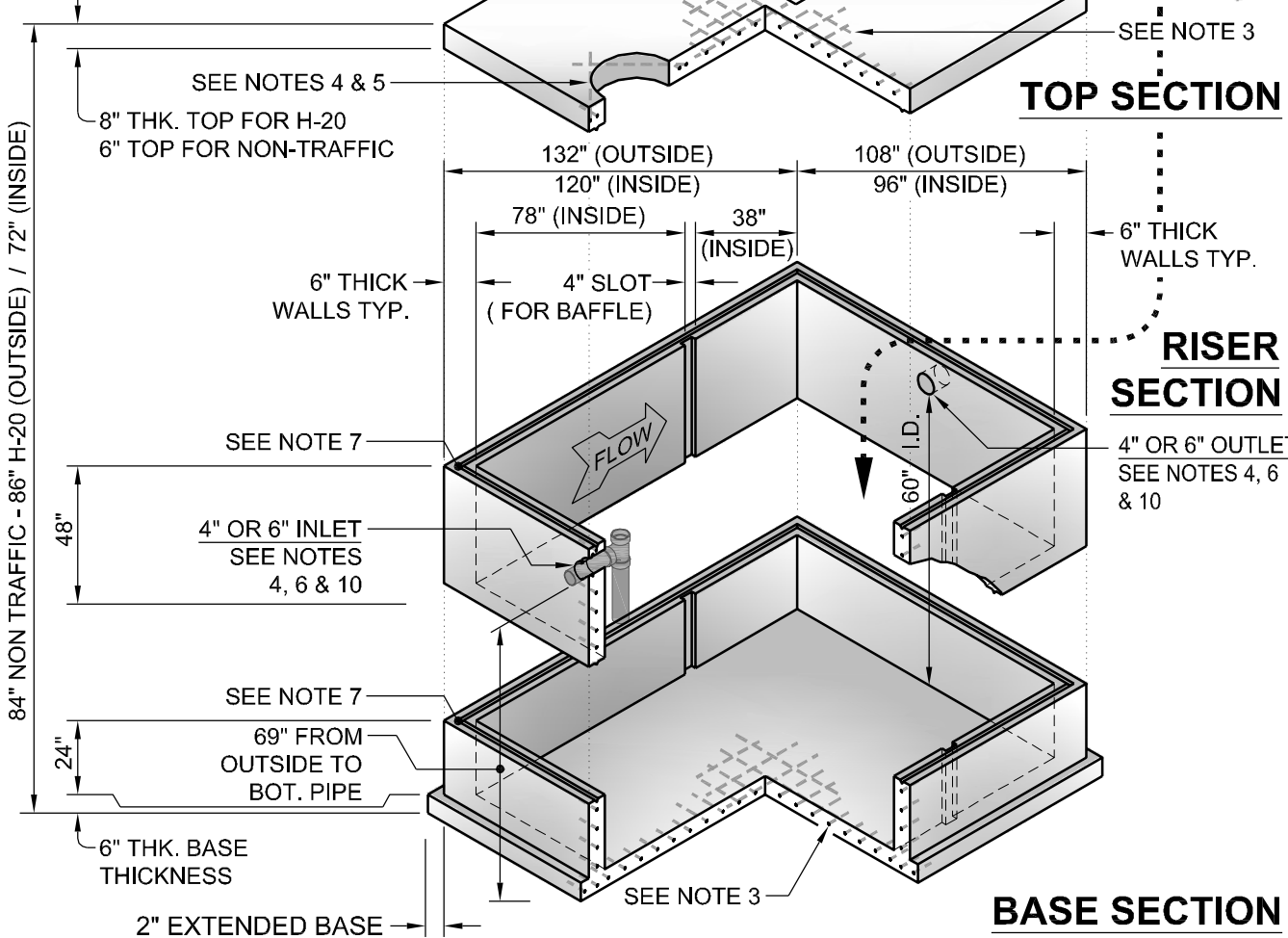
4" OR 6" PVC
BAFFLE

21" MIN. HOLE,
NOTES 4 & 5

6" x 10" INSPECTION
HOLE LOCATED
ABOVE BAFFLE WALL



TOP SECTION



RISER SECTION

BASE SECTION

84" NON TRAFFIC - 86" H-20 (OUTSIDE) / 72" (INSIDE)

SEE NOTES 4 & 5
8" THK. TOP FOR H-20
6" TOP FOR NON-TRAFFIC

132" (OUTSIDE) 108" (OUTSIDE)
120" (INSIDE) 96" (INSIDE)
78" (INSIDE) 38" (INSIDE)

6" THICK WALLS TYP.

6" THICK WALLS TYP.

SEE NOTE 7
4" OR 6" INLET
SEE NOTES 4, 6 & 10

4" OR 6" OUTLET
SEE NOTES 4, 6 & 10

SEE NOTE 7
69" FROM OUTSIDE TO BOT. PIPE

6" THK. BASE THICKNESS

2" EXTENDED BASE

SEE NOTE 3