



# ALBUQUERQUE VAULT COMPANY

PRE-CAST  
CONCRETE  
PRODUCTS

300 Airport Dr., NW \* Albuquerque, NM 87121 \* Phone: 505-836-4404 / Fax: 505-836-5663

Detail # **ST-5000-H20**

Not To Scale

Jan., 2011

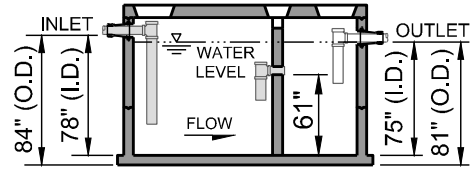
## 5,000 GALLON SEPTIC TANK - MID SEAM / TOP SLAB

### GENERAL NOTES:

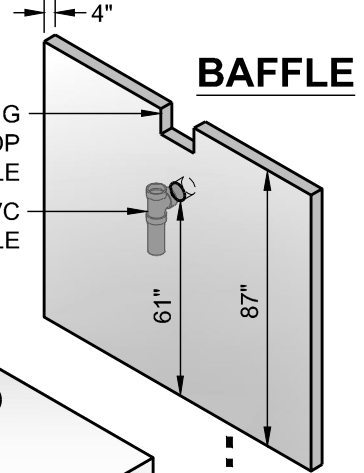
- Design specifications conform to latest ASTM C1227 specifications for "Precast Concrete Water and Wastewater Structures"
- Concrete compressive strength 4,000 psi minimum.
- Steel reinforcing design to conform to the requirements of ASTM C890 specifications for "Structural Design Loading for Water and Wastewater Structures" and shall utilize grade 60 re-bars conforming to the requirements of ASTM A615 or WWF conforming to the requirements of ASTM A185 or both.
- Additional reinforcing at all openings.
- Casting / Top provided and installed by contractor / customer per job requirements. 2", 3", 4" & 6" grade rings can be supplied by Albuquerque Vault Co. or field adjusted, using approved methods by contractor.
- Pipe penetration locations as per job requirements. Pipe inlet and outlet locations to have cast-in-place boots. Pipe to be installed by contractor.
- Joints to be sealed with 1" dia. butyl rubber joint sealant conforming to the requirements of latest AASHTO specifications M-198 and meets federal specification SS-S-0021(210-A).
- Method of manufacture is Wet Cast.
- Sections are monolithic. Weights:  
Top Section 11,700 ± lbs.  
Riser Section 12,200 ± lbs.  
Bottom Section 18,600 ± lbs.
- Inlet and outlet requirements such as tee's and/or effluent filters supplies and installed by contractor.
- Excavation hole bottom shall be 2' wide & 2' longer than total outside dimensions.
- Designed for H-20 loading.

21" MIN. HOLE,  
NOTES 4 & 5

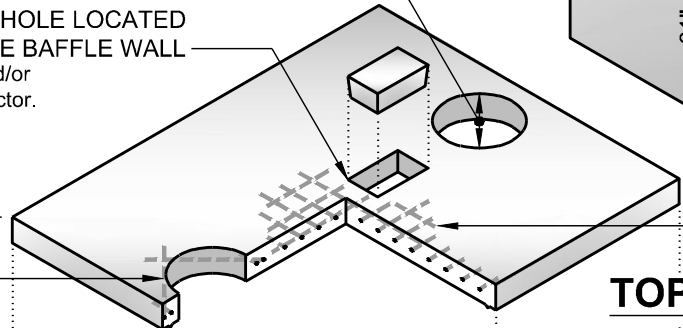
6" x 10" INSPECTION  
HOLE LOCATED  
ABOVE BAFFLE WALL



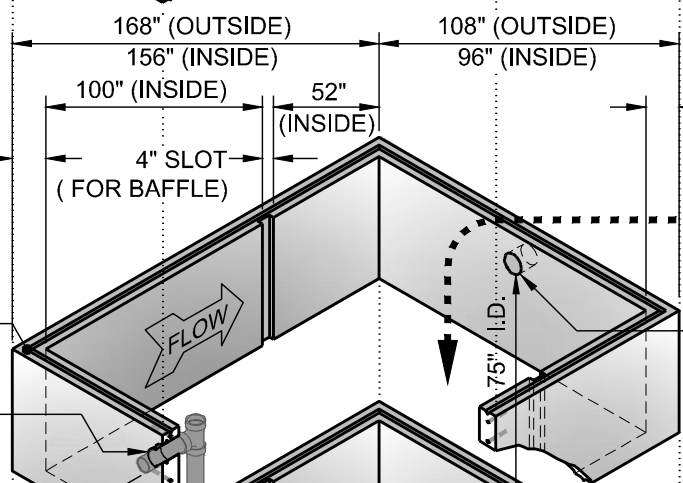
**ELEVATION**



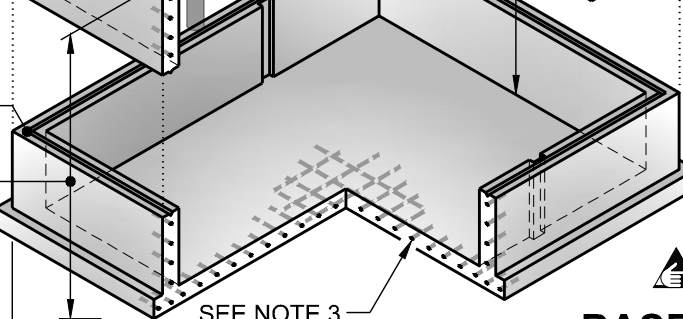
**BAFFLE**



**TOP SECTION**



**RISER SECTION**



**BASE SECTION**

99" NON TRAFFIC - 101" H-20 (OUTSIDE) / 87" (INSIDE)

SEE NOTES 4 & 5

8" THK. TOP FOR H-20  
6" TOP FOR NON-TRAFFIC

168" (OUTSIDE)  
156" (INSIDE)

108" (OUTSIDE)  
96" (INSIDE)

100" (INSIDE) 52" (INSIDE)

6" THICK WALLS TYP.

4" SLOT (FOR BAFFLE)

6" THICK WALLS TYP.

SEE NOTE 7

48"

4" OR 6" INLET  
SEE NOTES 4, 6 & 10

SEE NOTE 7

39"

84" FROM OUTSIDE TO BOT. PIPE

6" THK. BASE THICKNESS

2" EXTENDED BASE

SEE NOTE 3

SEE NOTE 3

6" THICK WALLS TYP.

4" OR 6" OUTLET  
SEE NOTES 4, 6 & 10