



ALBUQUERQUE VAULT COMPANY

PRE-CAST
CONCRETE
PRODUCTS

300 Airport Dr., NW * Albuquerque, NM 87121 * Phone: 505-836-4404 / Fax: 505-836-5663

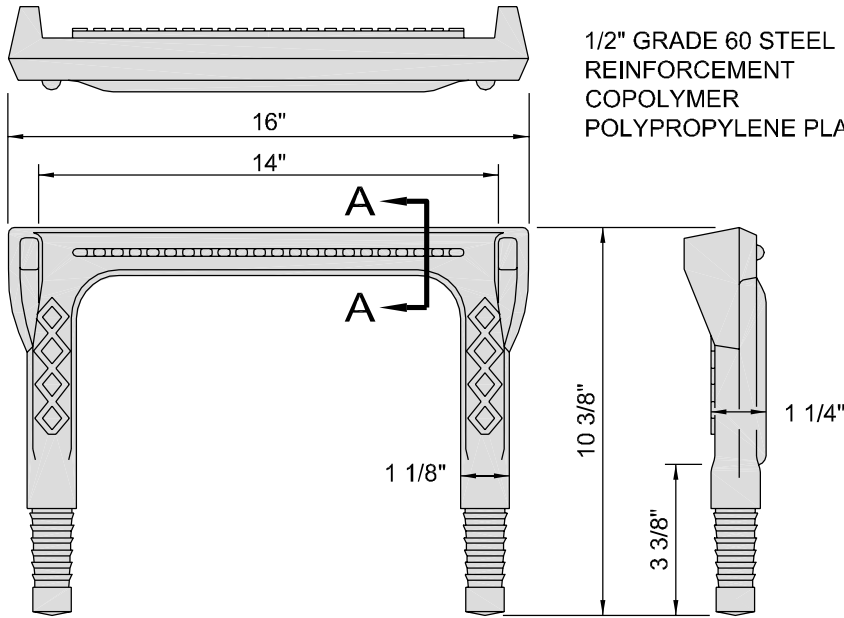
Detail #

STEPS

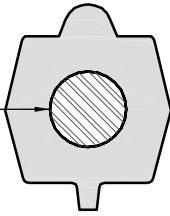
Not To Scale

Feb. 2009

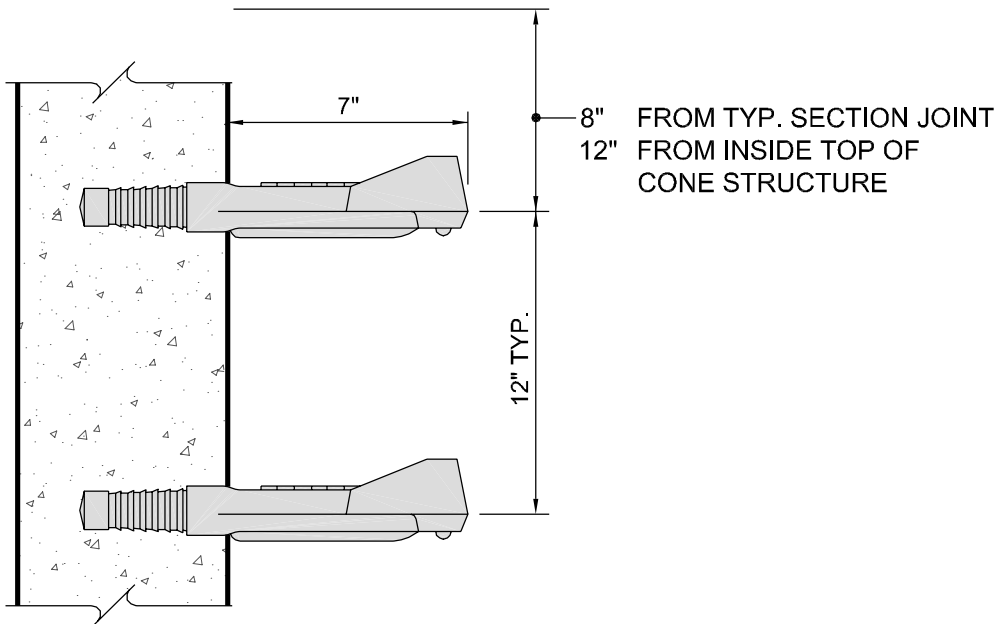
STD. POLYPROPYLENE PLASTIC STEPS



1/2" GRADE 60 STEEL
REINFORCEMENT
COPOLYMER
POLYPROPYLENE PLASTIC



SECTION A-A



GENERAL NOTES:

1. Step design, installation, and material shall meet the requirements of ASTM C478 and DOT.
2. Plastic material consists of super high impact resistant copolymer polypropylene and conform to specific requirements as detailed in ASTM D4101.
3. Reinforcing steel shall be 1/2" rebar, grade 60 and meet the requirements of ASTM A615.
4. Step width and spacing to be consistent with the latest requirements of OSHA.
5. Steps provided by M.A. Industries, Inc. or equal.